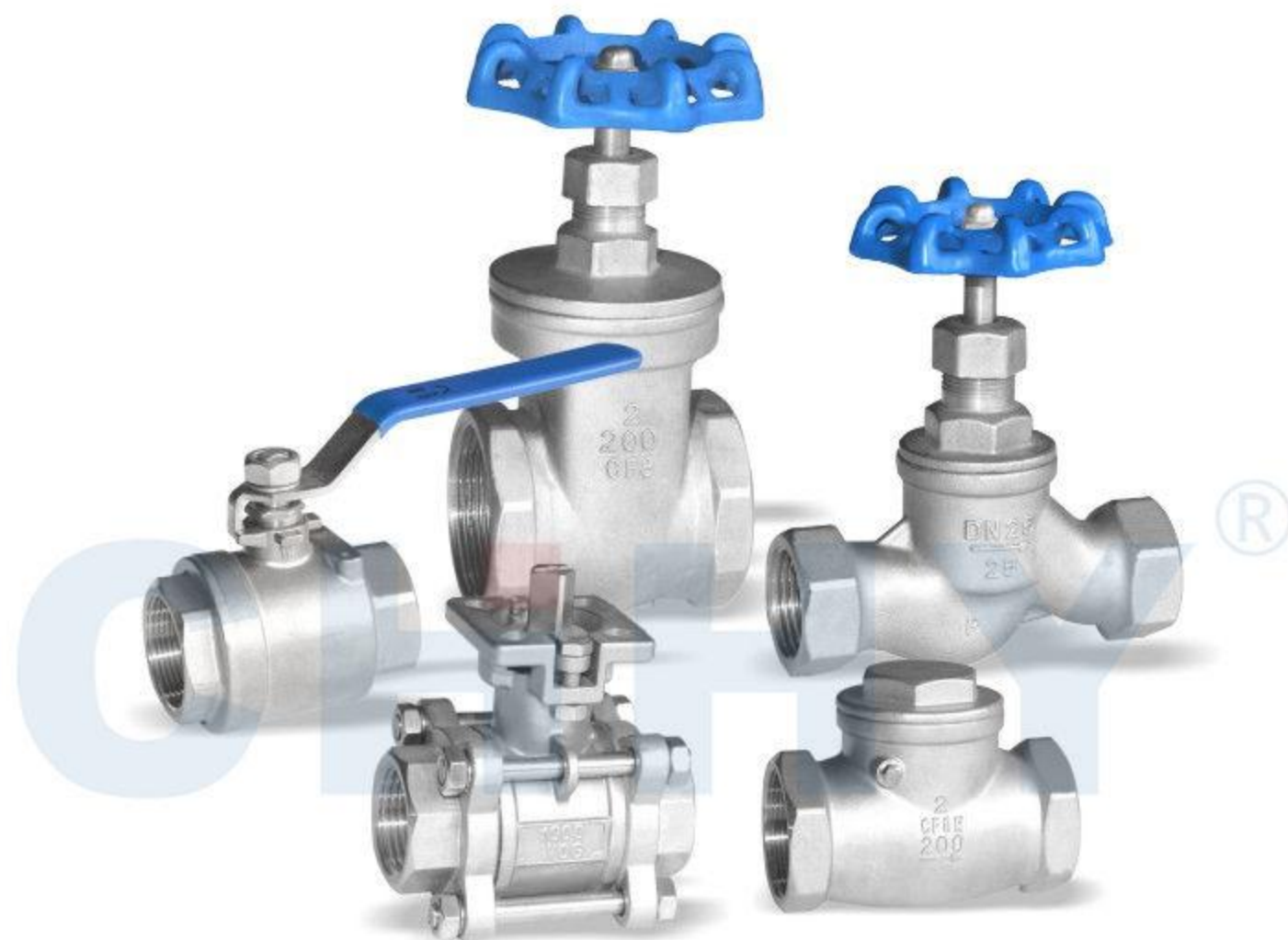


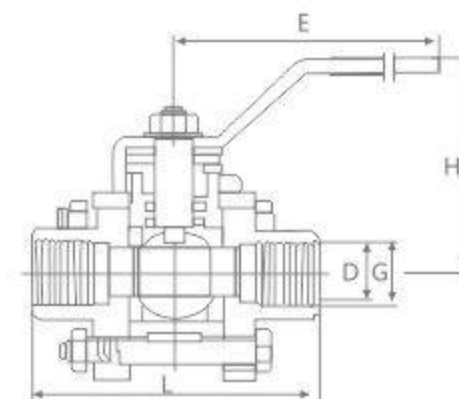
# THREADED SERIES 丝扣系列

# 08



## THREADED BALL VALVE 丝扣球阀

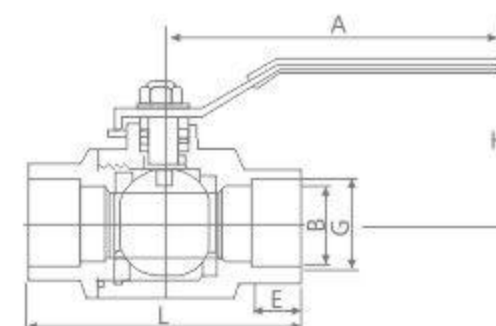
3PC Ball valve  
三片式球阀



| DN  | G      | D   | L   | H   | E   |
|-----|--------|-----|-----|-----|-----|
| 6   | 1/4"   | 10  | 65  | 50  | 95  |
| 10  | 3/8"   | 12  | 65  | 50  | 95  |
| 15  | 1/2"   | 15  | 75  | 55  | 105 |
| 20  | 3/4"   | 20  | 80  | 60  | 120 |
| 32  | 1 1/4" | 32  | 110 | 82  | 155 |
| 40  | 1 1/2" | 38  | 120 | 90  | 170 |
| 50  | 2"     | 50  | 140 | 105 | 220 |
| 65  | 2 1/2" | 64  | 160 | 120 | 245 |
| 80  | 3"     | 78  | 180 | 132 | 270 |
| 100 | 4"     | 100 | 215 | 160 | 315 |

3PC Ball Welding Ball valve  
三片式对焊球阀

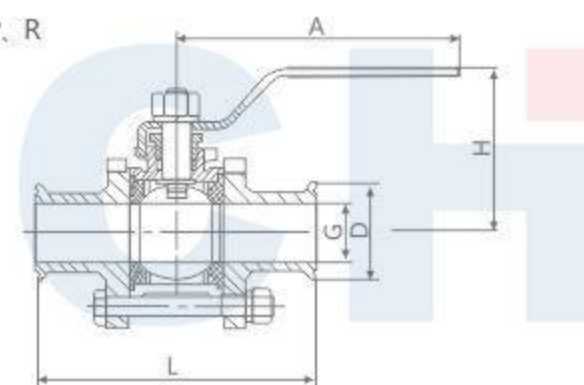
Q61F-16  
64P



| DN  | G      | B   | L   | H   | A   |
|-----|--------|-----|-----|-----|-----|
| 6   | 1/4"   | 10  | 65  | 50  | 90  |
| 10  | 3/8"   | 12  | 65  | 50  | 90  |
| 15  | 1/2"   | 15  | 75  | 55  | 100 |
| 20  | 3/4"   | 20  | 80  | 60  | 120 |
| 25  | 1"     | 25  | 90  | 70  | 140 |
| 32  | 1 1/4" | 32  | 110 | 82  | 140 |
| 40  | 2 1/2" | 38  | 120 | 90  | 180 |
| 50  | 2"     | 50  | 140 | 105 | 200 |
| 65  | 2 1/2" | 64  | 160 | 120 | 220 |
| 80  | 3"     | 78  | 180 | 132 | 240 |
| 100 | 4"     | 100 | 215 | 160 | 300 |

3PC Quick Install Ball valve  
三片式快装球阀

Q81F-(6-25)C, P, R



| DN | G      | D    | L   | H   | A   |
|----|--------|------|-----|-----|-----|
| 15 | 1/2"   | 34   | 100 | 55  | 100 |
| 20 | 1/4"   | 50.5 | 100 | 60  | 120 |
| 25 | 1"     | 50.5 | 120 | 70  | 140 |
| 32 | 1 1/4" | 50.5 | 130 | 82  | 140 |
| 40 | 1 1/2" | 50.5 | 140 | 90  | 180 |
| 50 | 2"     | 64   | 156 | 105 | 200 |
| 65 | 2 1/2" | 91   | 196 | 120 | 220 |
| 80 | 3"     | 106  | 228 | 132 | 240 |



# THREADED BALL VALVE

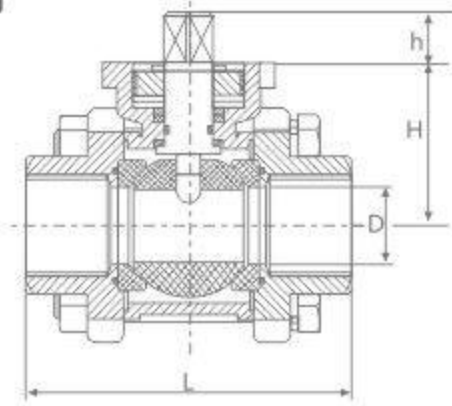
丝扣球阀

# THREADED BALL VALVE

丝扣球阀

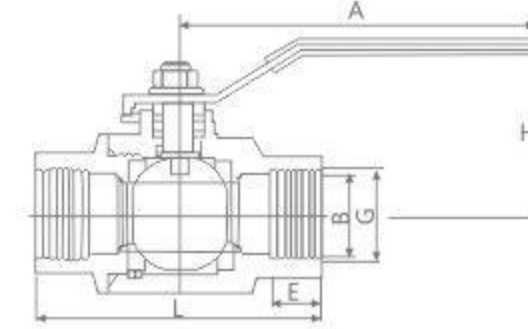
3PC High Platform ThreadBall valve  
三片式高平台内螺纹球阀

Q11F-16P  
64



| DN  | G      | D  | L   | H   | W   |
|-----|--------|----|-----|-----|-----|
| 6   | 1/4"   | 8  | 65  | 66  | 100 |
| 10  | 3/8"   | 10 | 65  | 66  | 100 |
| 15  | 1/2"   | 14 | 75  | 66  | 100 |
| 20  | 3/4"   | 20 | 80  | 73  | 115 |
| 25  | 1"     | 25 | 90  | 81  | 140 |
| 32  | 1 1/4" | 32 | 110 | 91  | 140 |
| 40  | 1 1/2" | 38 | 120 | 105 | 180 |
| 50  | 2"     | 50 | 140 | 113 | 190 |
| 65  | 2 1/2" | 65 | 170 | 155 | 233 |
| 80  | 3"     | 76 | 186 | 164 | 233 |
| 100 | 4"     | 94 | 220 | 170 | 233 |

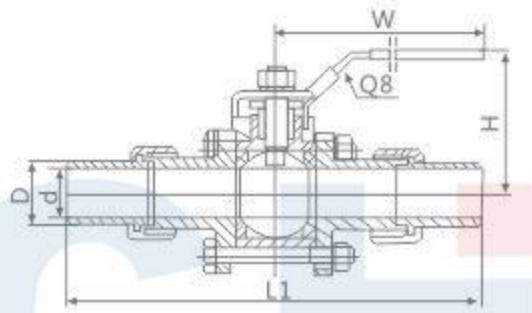
2PC Ball valve  
二片式球阀



| DN | G      | B  | L   | E    | H   | A   |
|----|--------|----|-----|------|-----|-----|
| 6  | 1/4"   | 10 | 55  | 11.5 | 50  | 95  |
| 10 | 3/8"   | 12 | 55  | 11.5 | 50  | 95  |
| 15 | 1/2"   | 15 | 57  | 14   | 55  | 105 |
| 20 | 3/4"   | 20 | 65  | 15   | 65  | 120 |
| 25 | 1"     | 25 | 79  | 15   | 72  | 140 |
| 32 | 1 1/4" | 32 | 90  | 18   | 80  | 155 |
| 40 | 1 1/2" | 38 | 98  | 19   | 95  | 170 |
| 50 | 2"     | 50 | 116 | 19   | 105 | 185 |
| 65 | 2 1/2" | 65 | 148 | 23   | 120 | 220 |

Three-Ball valve Live Then Surfacing  
三片式活接对焊式不锈钢球阀

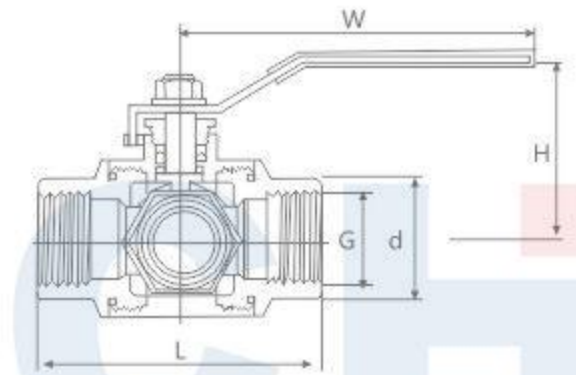
Q21F-16P  
64



| G      | d    | D  | L1  | H  | W   |
|--------|------|----|-----|----|-----|
| 1/4"   | 11.6 | 17 | 150 | 48 | 120 |
| 3/8"   | 12.7 | 17 | 150 | 48 | 120 |
| 1/2"   | 15   | 21 | 170 | 54 | 120 |
| 3/4"   | 20   | 26 | 185 | 57 | 130 |
| 1"     | 25   | 31 | 200 | 72 | 154 |
| 1 1/4" | 32   | 38 | 225 | 49 | 154 |
| 1 1/2" | 38   | 46 | 260 | 81 | 185 |
| 2"     | 50.8 | 60 | 300 | 97 | 185 |

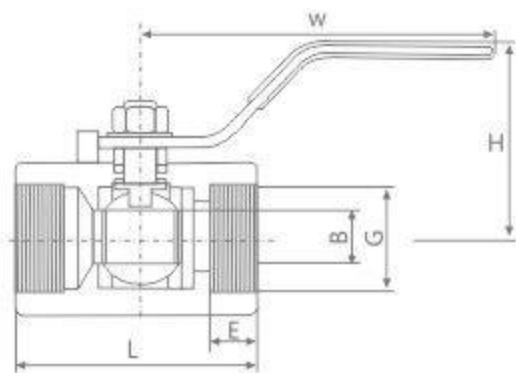
Female Three Ball valve  
内螺纹三通球阀

Q15F-16P  
64



| DN | G      | L   | d  | W   | H   |
|----|--------|-----|----|-----|-----|
| 6  | 1/4"   | 71  | 10 | 110 | 56  |
| 10 | 3/8"   | 71  | 12 | 110 | 56  |
| 15 | 1/2"   | 74  | 12 | 110 | 58  |
| 20 | 3/4"   | 88  | 15 | 120 | 60  |
| 25 | 1"     | 92  | 20 | 140 | 70  |
| 32 | 1 1/4" | 124 | 25 | 140 | 82  |
| 40 | 2 1/2" | 138 | 32 | 180 | 95  |
| 50 | 2"     | 154 | 38 | 200 | 100 |

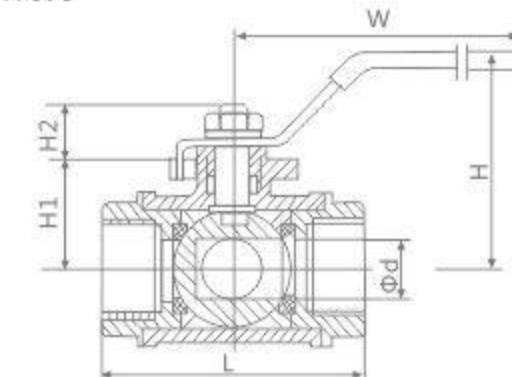
1PC Ball valve  
一片式球阀



| DN | G      | B  | L   | E    | H  | W   |
|----|--------|----|-----|------|----|-----|
| 10 | 3/8"   | 6  | 45  | 13   | 36 | 70  |
| 15 | 1/2"   | 9  | 55  | 16   | 39 | 80  |
| 20 | 3/4"   | 12 | 60  | 18   | 43 | 90  |
| 25 | 1"     | 15 | 70  | 20   | 46 | 105 |
| 32 | 1 1/2" | 20 | 80  | 21.5 | 53 | 120 |
| 40 | 1 1/4" | 25 | 86  | 23   | 59 | 130 |
| 50 | 2"     | 32 | 101 | 24.5 | 65 | 145 |

Three-way High Platform Internal Thread Ball valve  
三通高平台内螺纹球阀

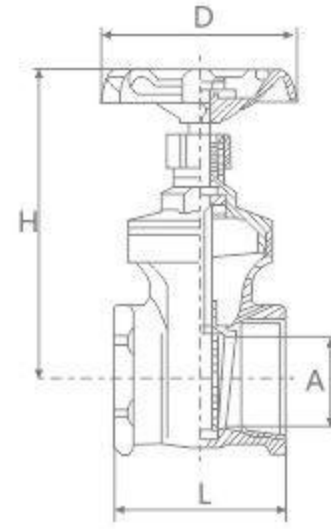
Q15F-16P  
64



| DN     | d  | L   | H   | H1 | H2 | W   | ISO5211 |
|--------|----|-----|-----|----|----|-----|---------|
| 1/2"   | 12 | 74  | 58  | 42 | 9  | 145 | F03-F04 |
| 3/4"   | 15 | 88  | 60  | 49 | 9  | 145 | F03-F05 |
| 1"     | 20 | 92  | 70  | 60 | 11 | 170 | F04-F05 |
| 1 1/4" | 25 | 124 | 82  | 63 | 11 | 170 | F04-F07 |
| 1 1/2" | 32 | 135 | 95  | 74 | 14 | 210 | F05-F07 |
| 2"     | 38 | 154 | 100 | 83 | 14 | 210 | F05-F07 |



Z15W Gate valve  
Z15W闸阀  
Z15W-16<sup>P</sup><sub>R</sub>

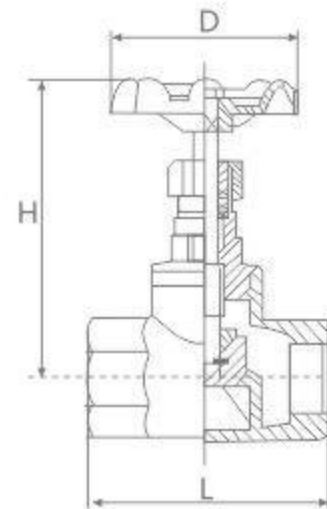


**技术规范 Technique norm**

公称压力: 1.6MPa  
适合介质: 水、油、气  
适合温度: 常温下1.6MPa饱和蒸汽下1.0MPa  
压力实验符合ISO5208,圆锥管螺纹符合ISO07标准中的Rc螺纹-G·NPT·  
Nominal pressure: 1.6MPa  
Suitable for medium: water, oil and gas  
Suitable temperature: 1.6MPa at room temperature and 1.0MPa at steam  
Pressure test in accordance with ISO5208, conical thread in accordance with ISO07 standard Rc thread -G·NPT·

| SIZE | 1/2" | 3/4" | 1"  | 1 1/4" | 1 1/2" | 2"  |
|------|------|------|-----|--------|--------|-----|
| A    | 15   | 20   | 25  | 32     | 38     | 50  |
| H    | 90   | 98   | 108 | 128    | 152    | 166 |
| L    | 55   | 60   | 68  | 76     | 80     | 93  |
| D    | 70   | 70   | 80  | 80     | 100    | 100 |

J11W Globe valve  
J11W截止阀  
J11W-16<sup>P</sup><sub>R</sub>

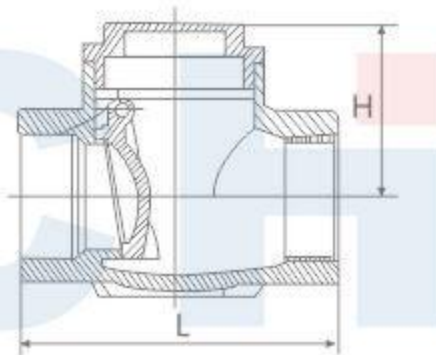


**技术规范 Technique norm**

公称压力: 1.6MPa  
适合温度: t≤150°C  
压力实验符合ISO5208  
圆锥管螺纹符合ISO07标准中的Rc螺纹-G·NPT·  
Nominal pressure: 1.6MPa  
Applicable temperature: t≤150°C  
Pressure test match ISO5208  
Lone tube the screw match ISO7 standard inside of Rc screw-G·NPT·

| DN   | 15   | 20   | 25  | 32     | 40     | 50  |
|------|------|------|-----|--------|--------|-----|
| SIZE | 1/2" | 3/4" | 1"  | 1 1/4" | 1 1/2" | 2"  |
| L    | 65   | 75   | 90  | 105    | 120    | 140 |
| H    | 88   | 95   | 110 | 123    | 135    | 150 |
| D    | 70   | 70   | 80  | 100    | 100    | 100 |

H14W Check valve  
H14W止回阀  
H14W-16<sup>P</sup><sub>R</sub>



**技术规范 Technique norm**

公称压力: 1.6MPa  
适合介质: 水、油、气  
适合温度: t≤150°C  
压力实验符合ISO5208,圆锥管螺纹符合ISO07标准中的Rc螺纹-G·NPT·  
Nominal pressure: 1.6MPa  
Applicable medium: water, oil, steam  
Applicable temperature: t≤150°C  
Pressure test match ISO5208, Lone tube the screw match ISO7 standard inside of Rc screw-G·NPT·

| DN   | 15   | 20   | 25 | 32     | 40     | 50  |
|------|------|------|----|--------|--------|-----|
| SIZE | 1/2" | 3/4" | 1" | 1 1/4" | 1 1/2" | 2"  |
| L    | 65   | 75   | 90 | 105    | 120    | 140 |
| H    | 42   | 46   | 54 | 58     | 66     | 74  |

**不锈钢阀门一站式制造商**

**ONE-STOP INTELLIGENT MANUFACTURER OF STAINLESS STEEL VALVES**